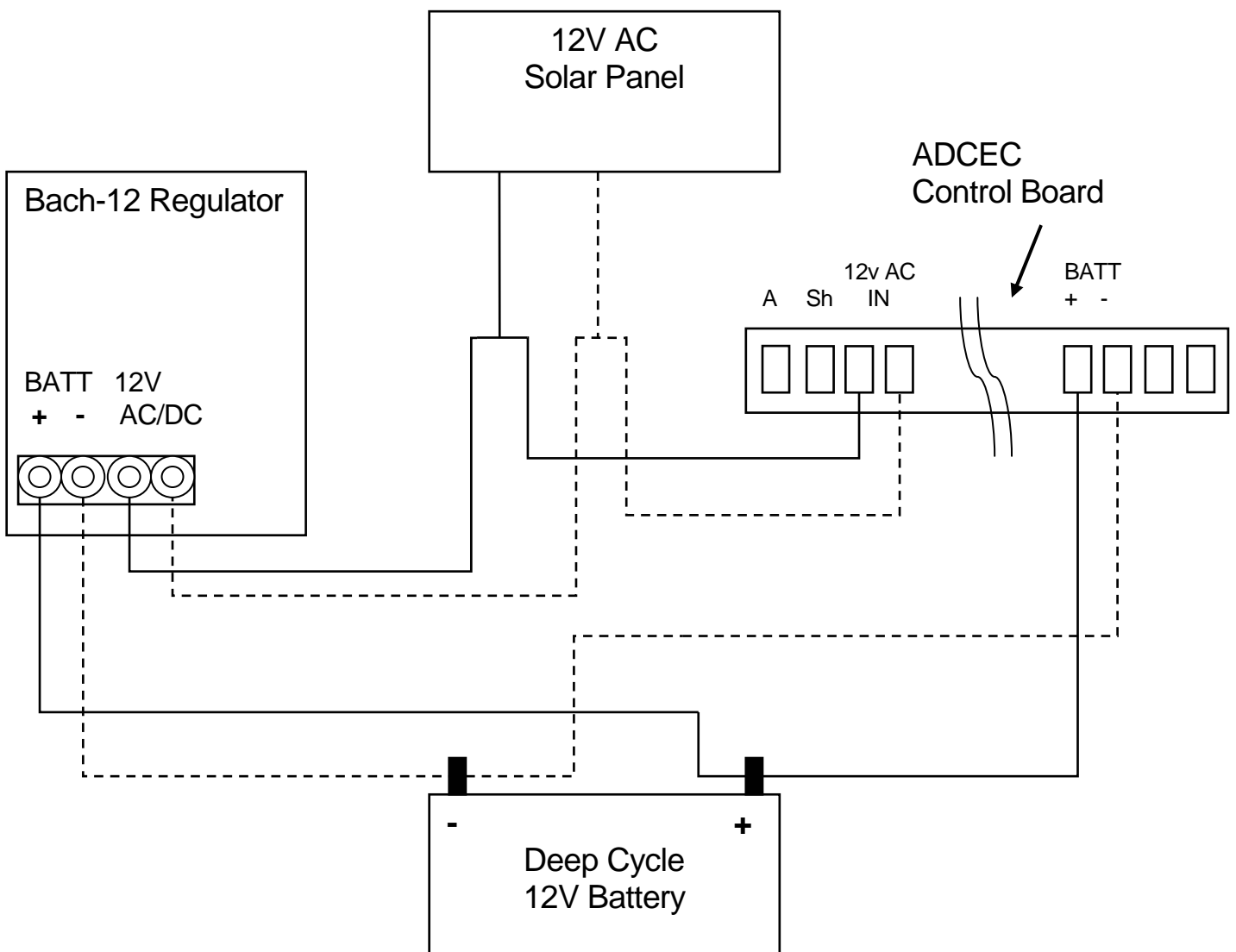


These wiring diagrams are for using a Bach-12 Regulator card to supplement the 200mah output charge of the ADCEC control board. Used together, they will provide 400mah output charge to maintain larger deep cycle batteries. With the AC connections, '+ or - / - or +' makes no difference.

Note: The dashed line represents the 'earth' or 'black' wire.



Note: If you are still unsure of the wiring connections after reading these instructions, please call us for further technical assistance.