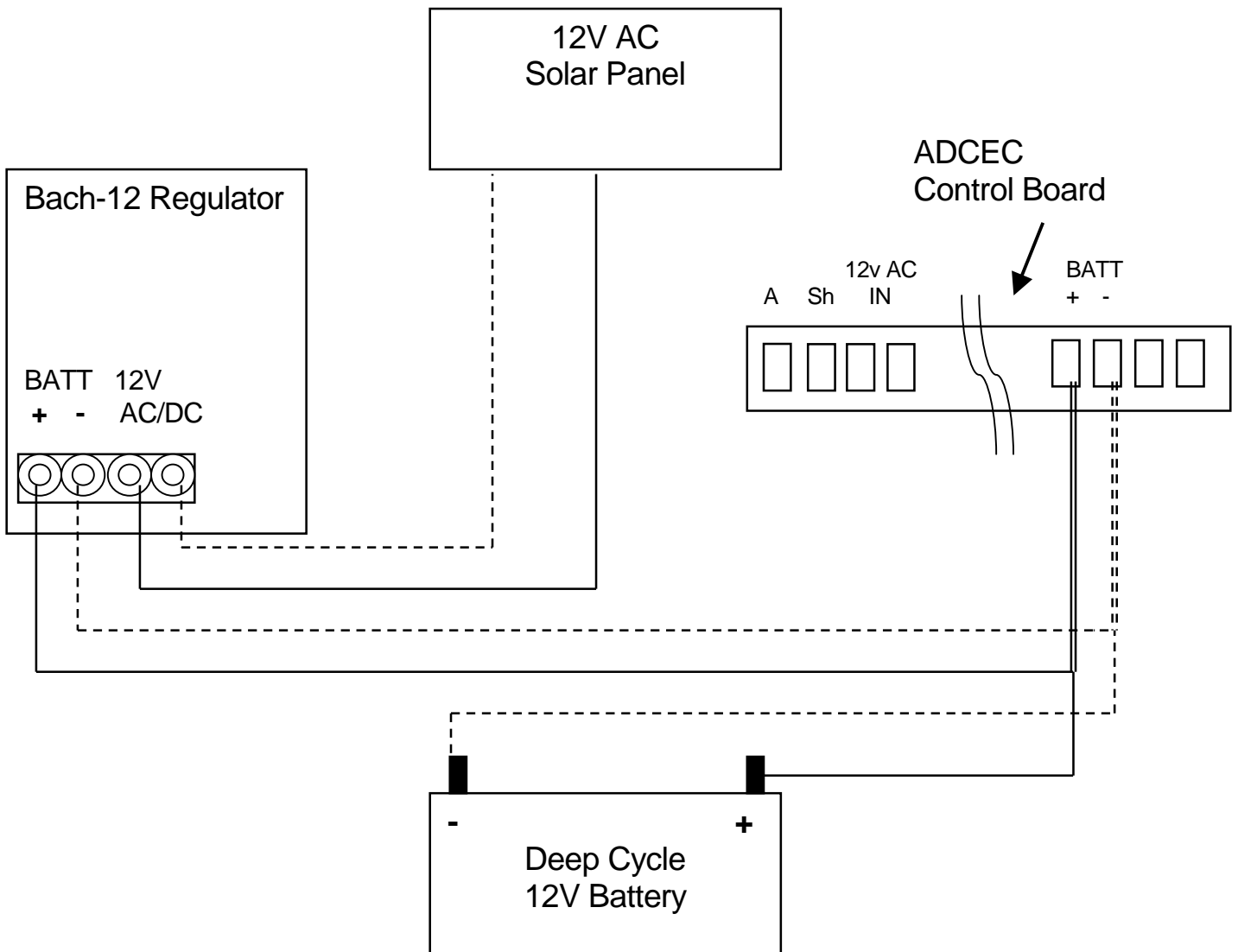


This wiring diagram is for using a Bach-12 Regulator card in place of the 12vAC onboard charging on the ADCEC control board. I.e. the solar panel runs directly into the Bach-12 card and bypasses the control board altogether. With the 12vAC/DC connections, '+ or - / - or +' makes no difference. With the BATT +/- connections, +/- must be the right way around. Note: The dashed line (-----) represents the 'earth' or 'black' wire.



**Note:** If you are still unsure of the wiring connections after reading these instructions, please call us for further technical assistance.