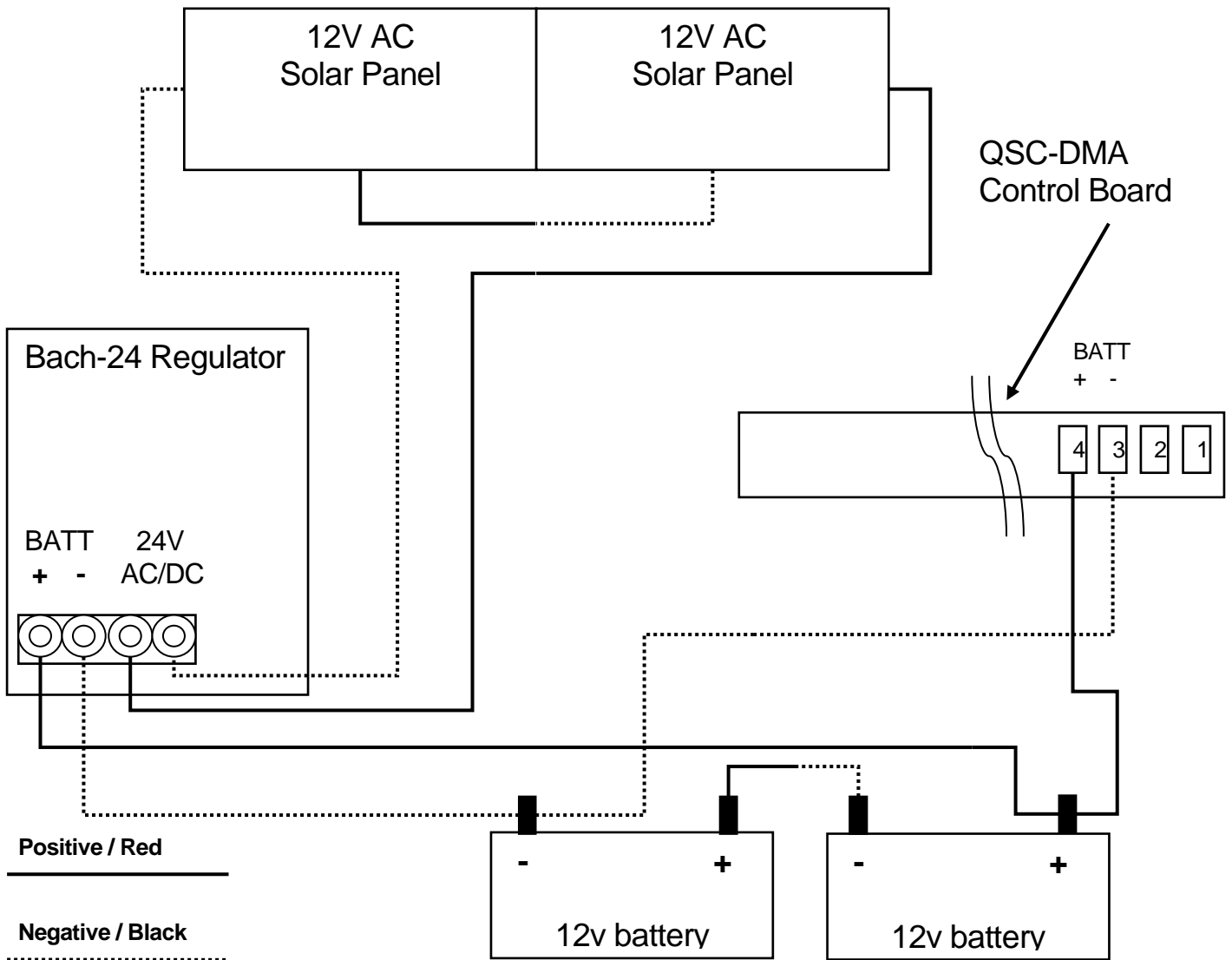


This wiring diagram is for using a Bach-24 Regulator card to regulate output from the batteries to the QSC-DMA control board.

Note: The dashed line represents the 'negative' or 'black' wire.



Note: If you are still unsure of the wiring connections after reading these instructions, please be sure to call us for further technical assistance.